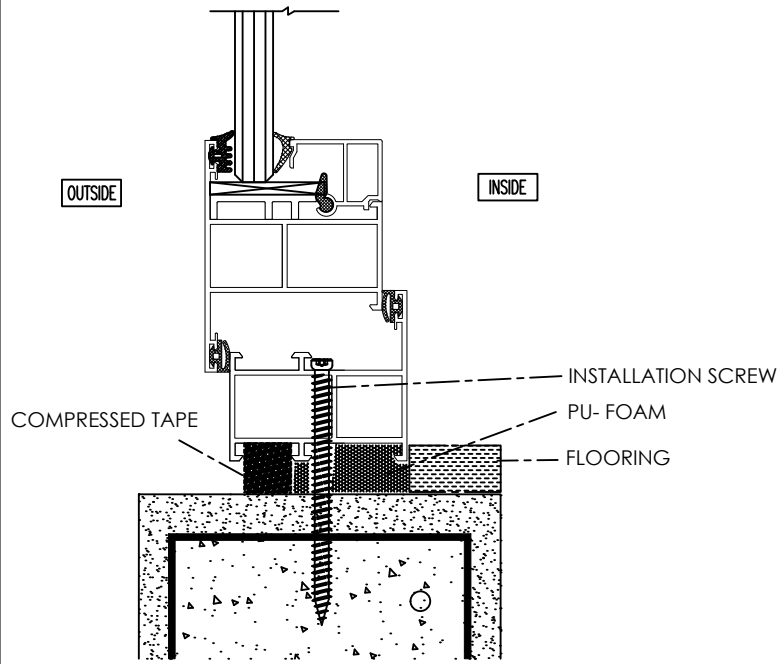


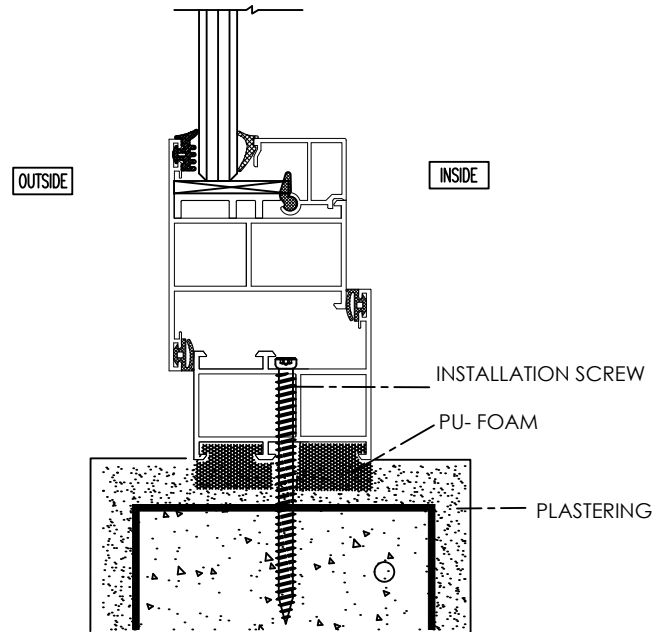
Q-Windows Malaysia Sdn Bhd (9651677)
 Block E, Unit E3 A, 05, Neo Damansara
 Jalan P.J.U. 8/1, Damansara Perdana,
 47820 Damansara Perdana
 Selangor, Malaysia

T + 603 7495 0339
 F + 603 7496 6399
 W www.q-windows.com.my
 E enquiry@q-windows.com.my



Floor Level Installation

no plastering outside



Wall Installation

plastering in- and outside

Note _____

Client _____

Project _____

Drawing Title _____

Installation Method _____

Drawn by _____ Checked by _____

MICHELLE TANG Andre Geffke

Drawing No. _____ Pg No. _____

01

Scale _____ Date _____

NTS 14-03-2017

Revision Details _____ Rev. _____

Client's Acknowledgement _____

NAME :

I/C NO. :

DATE :

SHOP DRAWING